



Product Catalog

STYLE **FUNCTION** COMFORT

OUR COMPANY

Flight Dental Systems is a Canadian owned and operated dental equipment manufacturer with sales in over 25 countries globally. It is one of the fastest growing dental equipment manufacturers in the industry and its philosophy has always been to produce an innovative product with exceptional design, reliability and quality, at an affordable price. This philosophy is evident throughout the Flight product line, as each item is meticulously designed and engineered to suit the needs and requirements of every practitioner. In addition, Flight Dental Systems continues to improve its products through extensive R&D to provide the best possible product for the best possible price to its customer.

A6 PATIENT CHAIR

STANDARD FEATURES



DESIGNED & ENGINEERED IN CANADA

Designed and Engineered in Canada according to the highest ISO 13485:2016 Standards. Perfect form and function to ensure the operator achieves the best ergonomics to achieve the best results while providing the patient the most comfortable stress-free experience.



ERGONOMIC DESIGN

Thin Backrest and Seatrest allows better access to the oral cavity while maintaining patient comfort with the memory foam support. The synchronized compensating backrest provides optimal patient and operator comfort during any procedure.



FUNCTIONAL DESIGN

Dual Drop Down Armrest allows for easy Patient Access and exceptional support when the patient is in the supine position.



Linak Motor From Denmark



Memory Foam



Hydraulic System Made In Japan

- ✓ A6 Hybrid Patient Chair (Hydraulic and Electromechanical)
- ✓ Hydraulic Base and Electromechanical Back Rest
- ✓ Seat Height 14.6" to 27.4" (370mm to 697mm)
- ✓ Backrest Reclining 4 degree to 67 degree
- ✓ Electronic Deluxe Foot Control: 2 Programmable Positions.
- ✓ Auto Return and Last Position
- ✓ Input Voltage (110v or 220v)



A6 OPERATORY PACKAGE

STANDARD FEATURES



CLEAN WATER BOTTLE SYSTEM

Integrated Clean water bottle system with easy conversion from city water to bottle water with a simple flip of a switch. Convenient location and easy to access.



ADVANCED CONTROLS

Deluxe controls for chair, light and cuspidor control from the doctor side and the assistant side.

EASY TO USE AND MAINTAIN

Conveniently located and easy to clean vacuum canister filter. Allows for simple maintenance for the staff allowing them time to do other things.



- ✓ A6 Hybrid Patient Chair (Hydraulic and Electromechanical)
- ✓ State-of-the-Art Hands Free Sensor Controlled Flight Torch LED Light
- ✓ Synchronized Chair and Back Movement for Superior Ergonomics
- ✓ Choose from 9 Plush Sewn or Seamless Upholstery Colours and 2 Ultraleather Colours
- ✓ Self Contained Water Bottle System
- ✓ Thin Backrest and Streamlined Seat rest
- ✓ Designed and Engineered in Canada
- ✓ DCI Compatible Parts



DELIVERY UNITS

REAR DELIVERY

TRADITIONAL DELIVERY UNIT



TRAD-2002



TRAD-2001

CONTINENTAL DELIVERY UNIT



CONT-3002

MOBILE CART DELIVERY



MC-1300F



MC-1302F

FEATURES

- ✓ Optional Vacuum with HVE + SE (MC-1300FVAC/MC-1302VAC)
- ✓ Solid Frame with Adjustable Height
- ✓ Dual Casters for all surfaces
- ✓ Water Bottle System Included

PANEL MOUNT DELIVERY



RD-2102/VAC

FEATURES

- ✓ Easy to Install Cabinet Panel Mount Delivery
- ✓ Includes 3 HP Control Block + Syringe
- ✓ Optional Vacuum Package
- ✓ Clean Water Bottle System Included

UNDER CABINET MOUNT DELIVERY

RD-3100
3 HP Under Cabinet Mount



RD-3150
3 HP Under Cabinet Mount with Vacuum (HVE, SE)



AI-105



OPTIONS

- ✓ Water Bottle System (110-032)
- ✓ Fiber Optic System (FO-101KIT)
- ✓ Under Cabinet Mount Vacuum Arm (AI-105)
- ✓ Extra HVE (XHVE-102)

TORCH LED LIGHT

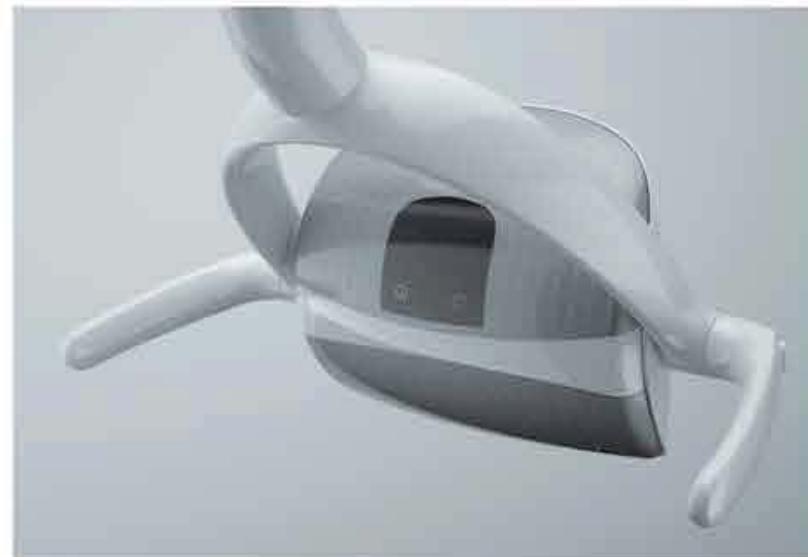
IRIS LED LIGHT

STANDARD FEATURES



STANDARD FEATURES

- ✔ Direct LED Light Bulbs - 50,000 hr life expectancy
- ✔ Energy Efficient, No Heat Production
- ✔ Triple Axis movement of Light Head
- ✔ Sensor control for on/off of light
- ✔ Removable handles for cleaning
- ✔ Shadow less Rectangular Pattern
- ✔ Colour Temperature: 5500K
- ✔ Light Intensity (Lux):High 30,000; Low 8,000



- ✔ Free Movement as a result of 3rd axis
- ✔ Low Energy Consumption <20w
- ✔ No Fan, less noise and improved working conditions
- ✔ Low Heat Production
- ✔ LED life expectancy is about 50,000 hours
- ✔ Patented Colour Temperature Adjustment
- ✔ 3 Modes (Cure Safe Mode, Surgical Procedures, Colour Matching Mode)
- ✔ Made in Italy
- ✔ Colour Temperature: 4200- 6000 K (5 Adjustable Steps)
- ✔ Light Intensity (Lux):High 35,000; Low 8,000 (5 Adjustable Steps)
- ✔ CRI (Colour Rendering Index) : >90%



Anti-polymerisation Mode
3000 K, minimises blue emission,
reducing the compound
curing speed;



Colour Matching Mode
5500 K, creates a combination of cool and
warm LEDs that maximises the colour
rendering index, facilitating the dentist's
choices during tooth replacement operations.



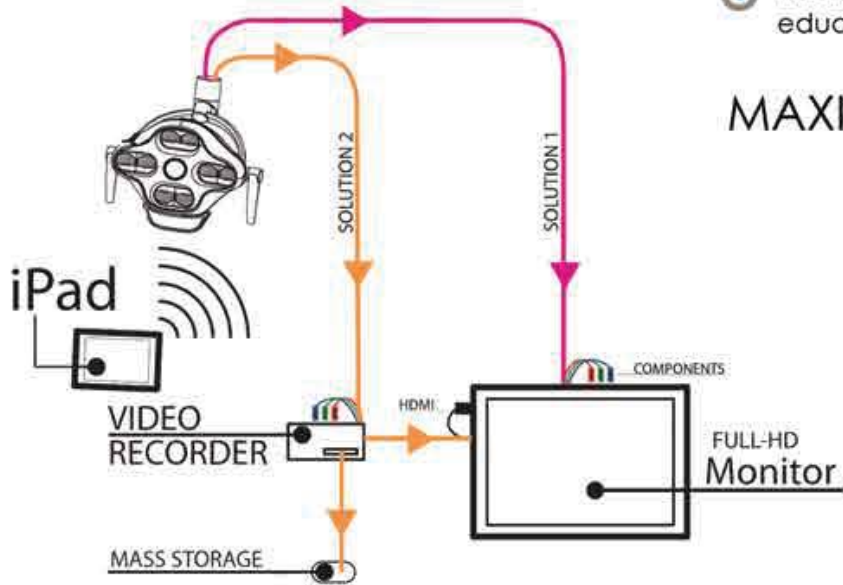
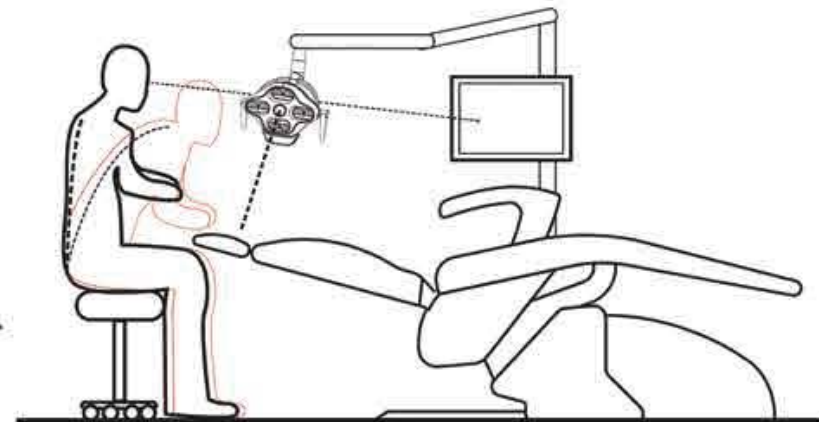
Surgical Mode
4500 K, optimises the colour
contrast on the soft tissues, better
distinguishing the shades of the
gums, blood and periodontium;



STANDARD FEATURES

- ✓ Full HD (1920 x 1080px) Camera with 30x Optical Zoom
- ✓ Built in WiFi control for light and camera through an iPad App- My Light
- ✓ Freeze Frame and Recording Capability
- ✓ Provides a detailed image of the operating area
- ✓ Improves ergonomics with indirect dentistry and reduces strain on back, shoulder and spinal cord
- ✓ Relieves eye strain by allowing the camera to focus in on a specific area
- ✓ Allows the multimedia documentation of procedures in high definition
- ✓ Live streaming capabilities, excellent for conferences, teaching schools hospitals and university lectures
- ✓ Improves and facilitates better communication with patient
- ✓ Allows better communication during diagnosis and allows better education for patient by providing real-time video streaming

MAXIMUM LIGHT QUALITY



MORE **ERGONOMIC** LESS STRESS

RECORD, **DOCUMENT**, SHARE

SINGLE LED TRACK LIGHT

Model: TL-1005T (Torch LED)
Model: TL-1005I (IRIS LED)
Model: TL-1005GIV (iView)



DUAL TRACK LIGHT

Model: TL-1006T (Torch LED)
Model: TL-1006I (IRIS LED)
Model: TL-1006GIV (iView)



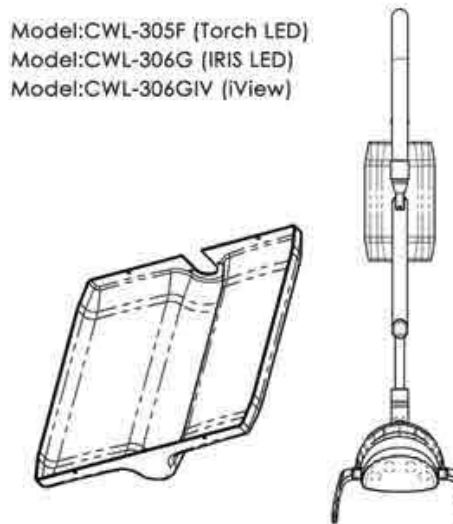
CHAIR MOUNTED LIGHT



Model: LL-306G - IRIS
Model: LL-305F - Torch
Model: LL-306GIV - (iView)

WALL/CABINET MOUNTED LIGHT

Model: CWL-305F (Torch LED)
Model: CWL-306G (IRIS LED)
Model: CWL-306GIV (iView)



CEILING MOUNTED LIGHT

Model: CL-306G - IRIS
Model: CL-305F - Torch
Model: CL-306GIV - iView



STOOLS



DELUXE DOCTOR STOOL

Dimensions:

Backrest Vertical Adjustment Range 0~ 4.7"(12cm)

Seat Width 17"(43.18cm)

Seat Height Ranges 20"-25.5"(51-68cm)

5 Leg Base Diameter 24"(61cm)



DELUXE ASSISTANT STOOL

Dimensions:

Abdominal Vertical Adjustment Range: 0~3.1"(8cm)

Seat Width 18"(45.7cm)

Seat Height Ranges 22"-27.5"(56-70cm)

5 Leg Base Diameter 24"(61cm)



SADDLE STOOL

Dimensions:

Seat Height 21.6" to 29.5" (55-75cm)

Base Diameter 18.9" (48cm)

Seat Depth 14" (35.5cm)

Seat Width 17.1" (45.3cm)



SPLIT-SADDLE STOOL

Dimensions:

Seat Height 21.6" to 29.5" (55-75cm)

Base Diameter 18.9" (48cm)

Seat Depth 14" (35.5cm)

Seat Width 17.1" (45.3cm)

COLOURS

Standard Plush Seamless and Sewn Upholstery



L12 Black



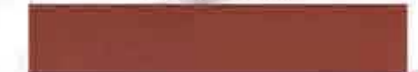
L13 Light Gray



L14 Stone



L15 Honesty



L16 Red



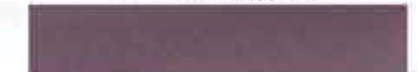
L22 Valley



L24 Chaps



L27 Marmalade



L28 Woodviolet

Ultraleather Sewn Upholstery U - Series



U01 Taupe



U03 Walnut

*Custom Colours Available for Both Ultraleather and Plush – Upcharge



FLIGHT DENTAL SYETEMS - First Class has Never been so Affordable!



21 Kenview Blvd. Unit 9, Brampton, ON Canada L6T 5G7

Phone : 905-799-0517 Toll Free : 1-866-799-0517

Fax : 1-905-793-2406

www.flightdentalsystems.com